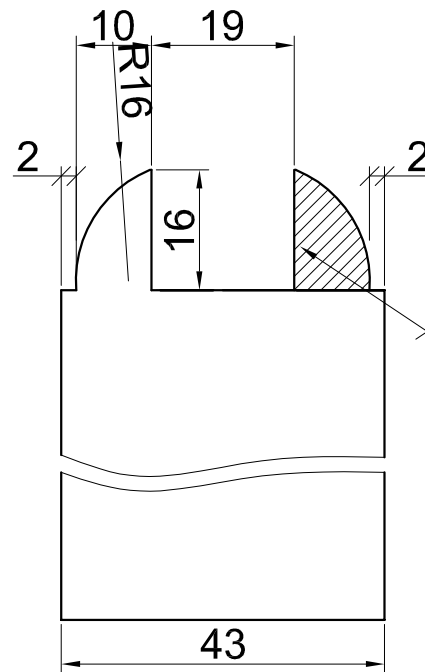


( Unit in mm )



**BAGUETTE APPLIED**

**PROFILE OF THE STILE**  
( UNIT IN mm )  
scale 1:1